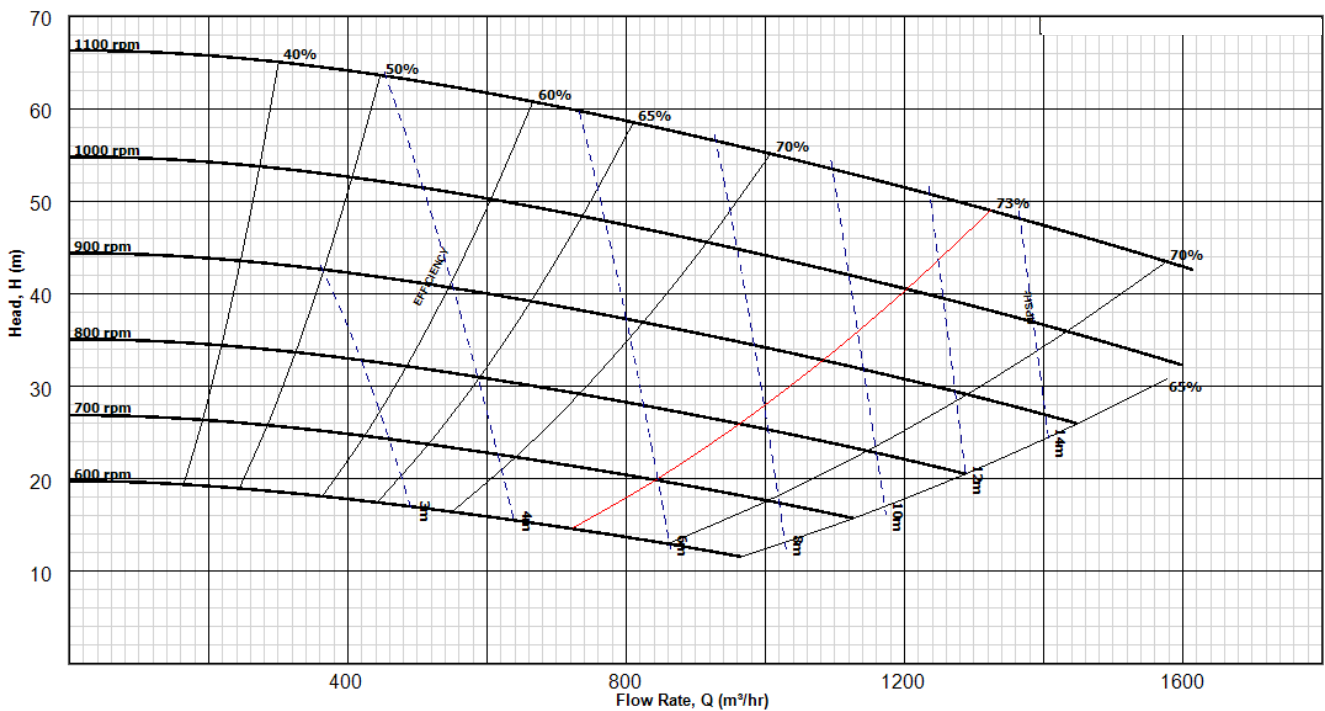


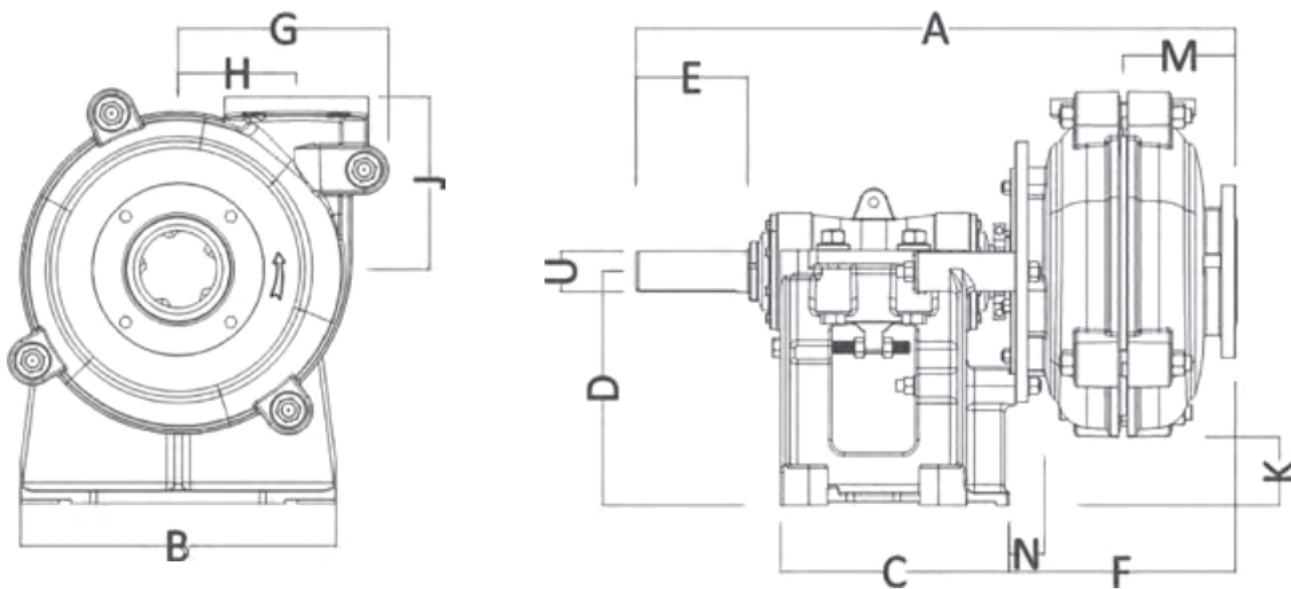
SL10x8-200030

Suction	254mm (10")
Discharge	203mm (8")
Maximum RPM	1100
Sealing System	Standard expeller
Impeller Material	High chrome
Liner Material	High chrome
Throat Bush	High chrome
Max Motor Power	120kW
Weight-Bare	
Shaft Pump	3200kg



NOTE This information is for guidance / reference only. For application specific drawings and curves, please contact your nearest authorised distributor at slurrypro.com. 03.08.17

SSI0x8-200045



A	B	C	D	U	E	F	G
1337	662	448	457	80	222	585	568

H	J	K	L	M	N	Key Size
368	470	-	82	257	546	202 x 22 x 15

All values in millimetres (mm)