



SS2x1.5-200005

SLURRYPRO[®]

A BETTER SLURRY PUMP EXPERIENCE

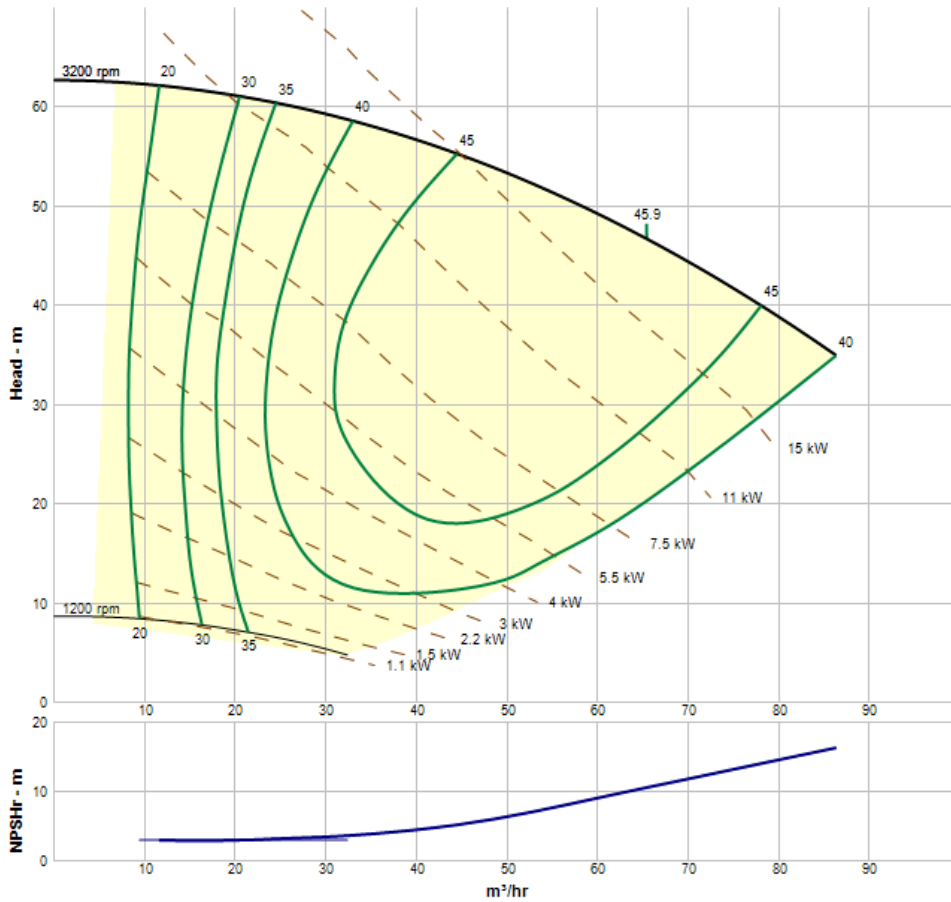


slurrypro.com

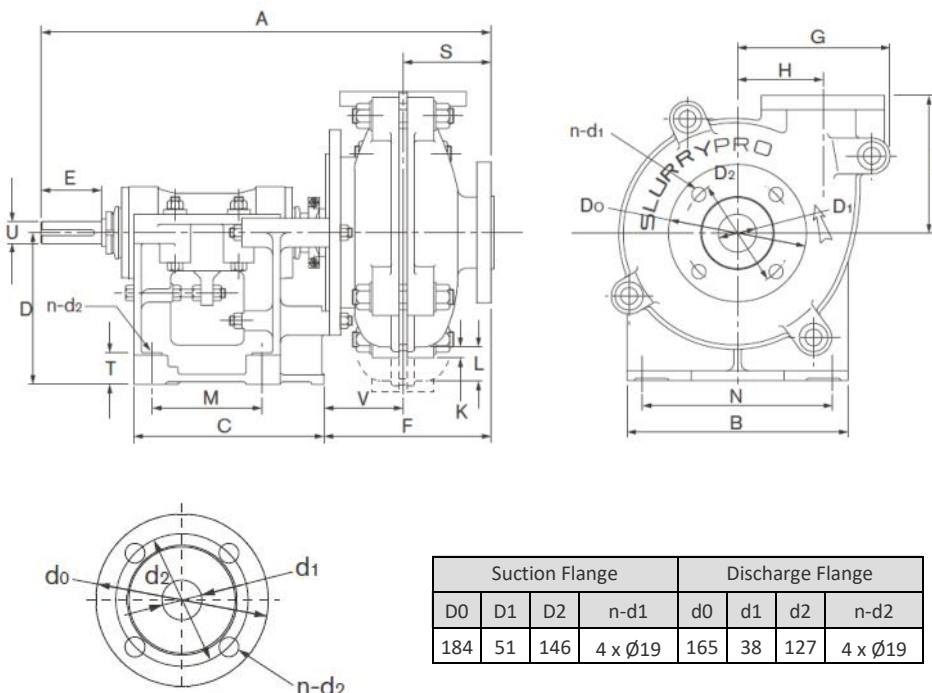
SS2x1.5-200005

SlurryPro Silver Series 2x1.5 centrifugal slurry pump. Featuring standard expeller, heavy duty SKF bearing, high chrome impeller, high chrome liner and a maximum motor power of 15kW.

Performance



Dimensions



Suction Flange				Discharge Flange			
D0	D1	D2	n-d1	d0	d1	d2	n-d2
184	51	146	4 x Ø19	165	38	127	4 x Ø19

Size	A	B	C	D	U	E	F	G	H	J	K	L	M	N	V	T	S
SS2x1.5-200005	592	295	248	197	28	79	217	205	114	184	33	-	143	254	184	38	114

Specification

Suction	50.8mm (2")
Discharge	38mm (1.5")
Maximum RPM	3200
Sealing System	Expeller Seal
Liner Material	High Chrome
Impeller Material	High Chrome
Throat Bush	N/A
Max Motor Power	15kW
Weight Bare Shaft Pump	156kg

About SlurryPro

SlurryPro originated from a firm belief that your slurry pump experience could and should be better. In response to industry feedback and frustration with service and response times, SlurryPro Pumps has introduced a customer-centric focus and revolutionized the end-user experience.

The core management team bring years of experience from the Australian and South American mining industry. This tough and unforgiving environment was the perfect birth place for a range of pumps focusing on superior wear life and reduced lifetime costs. We focus on the vital need to reduce downtime in our key markets of mining, chemicals and mineral processing.

Our range includes horizontal and vertical centrifugal slurry pumps, all designed for use in the heaviest duty applications such as mill discharge, process plant and tailings applications. They are also widely used in sand washing and recycling applications, as well as specialist areas such as difficult food washing and other abrasive processes.

We understand that reducing downtime relies on rapid and cost effective parts availability. With this in mind, we have invested heavily in stock within our distribution companies, leading to the fastest quoting and delivery times in the industry.

In short, if you're looking for a better slurry pump experience, including superior wear life, reduced lifetime cost and ease of ongoing maintenance there is quite simply no alternative to SlurryPro.

SLURRYPRO®

A BETTER SLURRY PUMP EXPERIENCE

e: info@intraxglobal.com
t: +44 (0)114 229 3144

Please note that the information featured on this data sheet is for guidance/reference only. For application specific drawings and curves, contact your nearest authorised distributor. SlurryPro is part of the Intrax Global Group. 020818